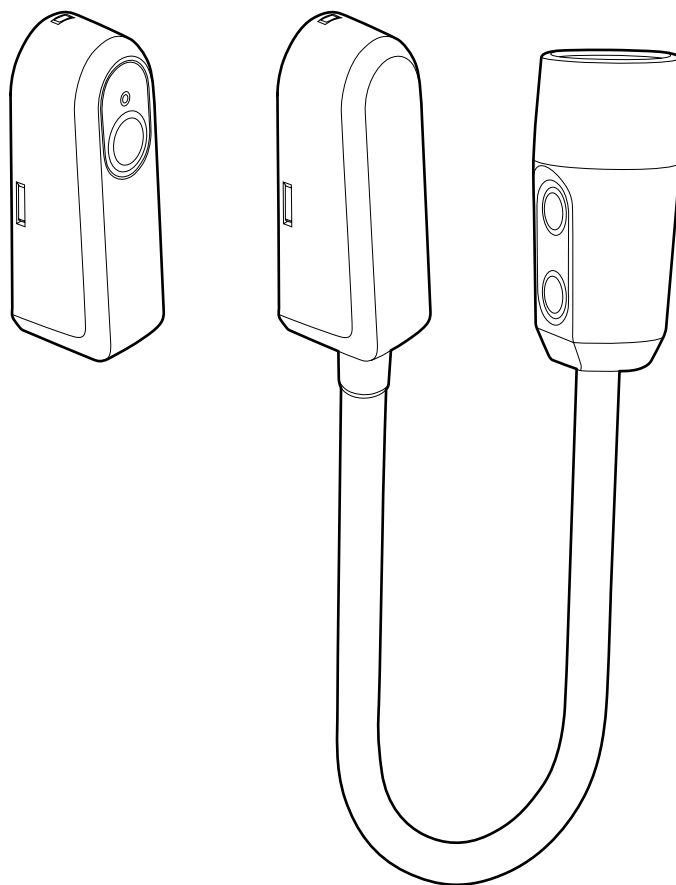




# ME S/LS



## General



Electrical components may only be installed by a qualified electrician.

Push Button Kit **ME S** and **ME LS** is developed for easy starting / stopping of example lamp, fan and damper. Power supply via separate transformer or control unit.

## Installation

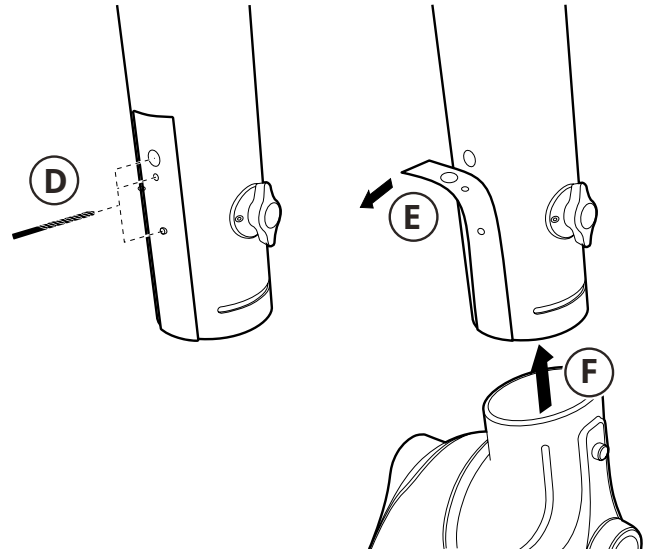
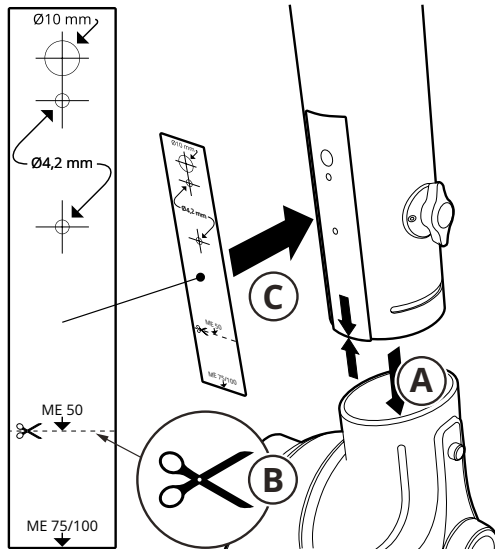


These instructions assume that the extraction arm is dismantled from the bracket.

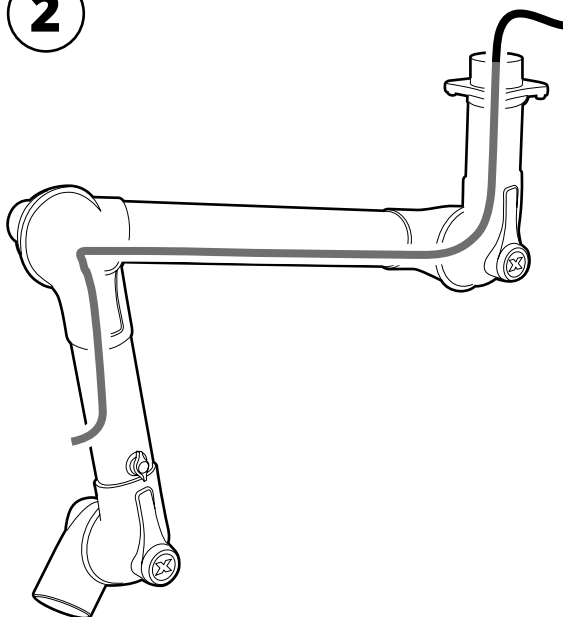
The ME extraction arm with ME S/LS installed may swivel a maximum of 360°. Fit swivel stop if necessary.

### ME S/LS

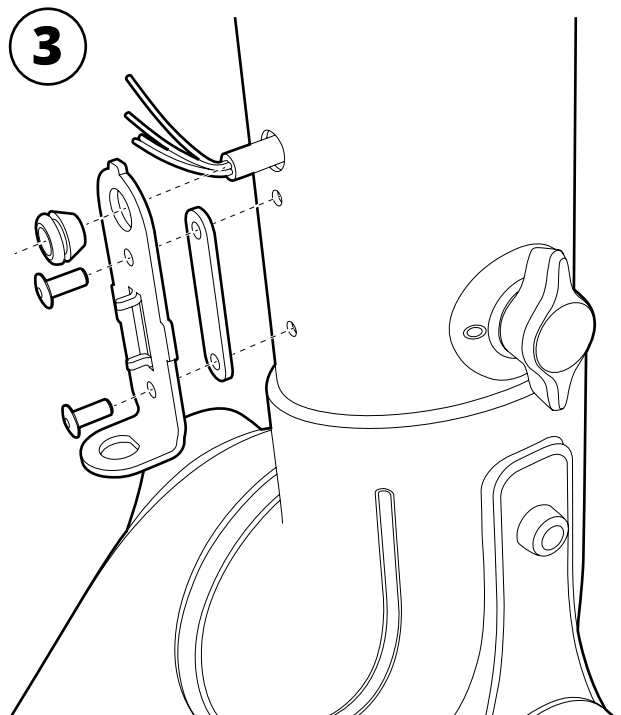
**1**



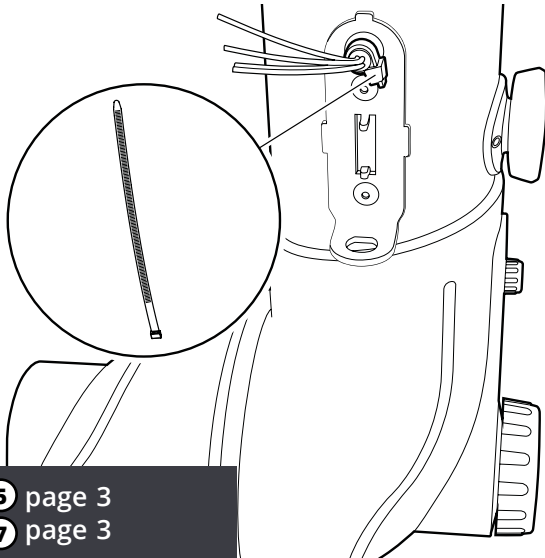
**2**



**3**



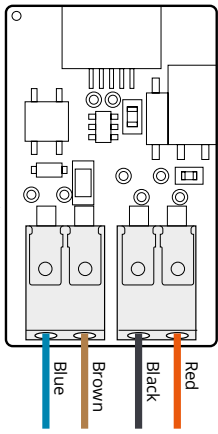
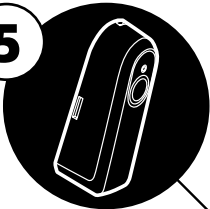
4



ME S: ..... See 5 page 3  
ME LS: ..... See 7 page 3

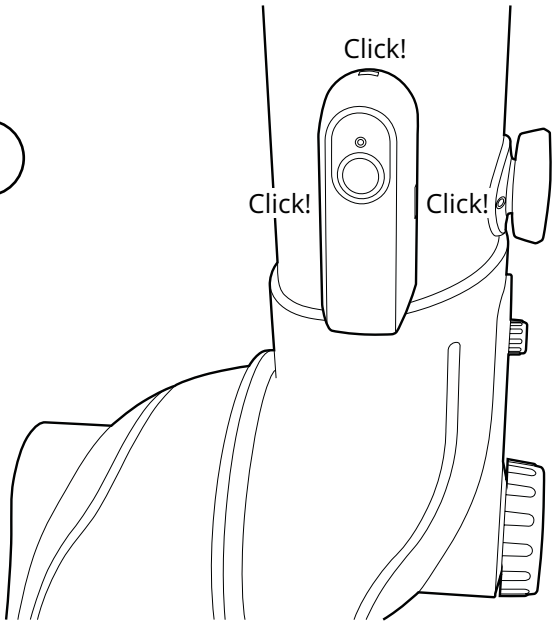
ME S

5



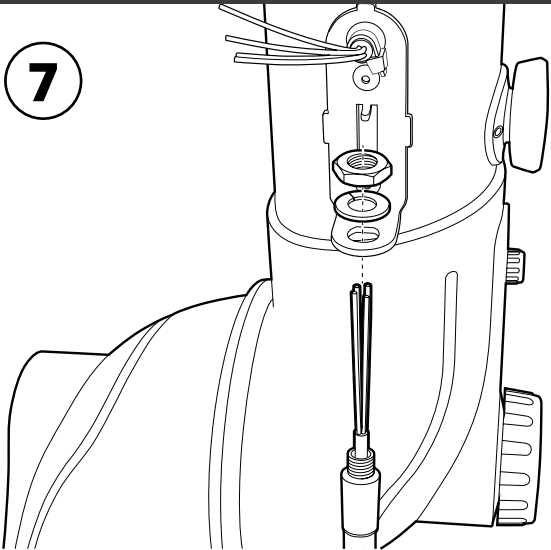
POWER SUPPLY / CONTROL

6

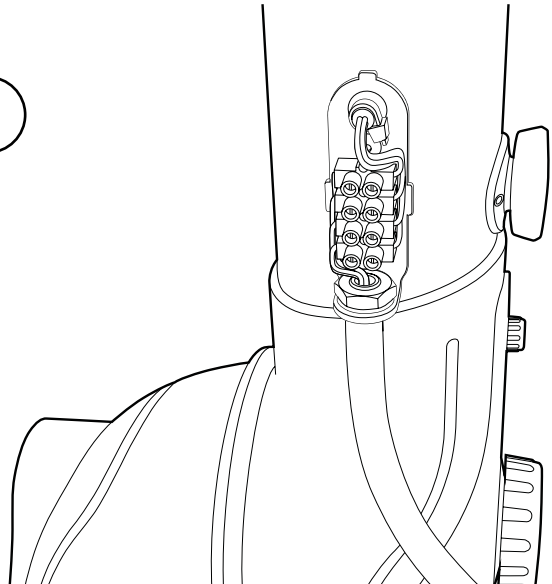


ME LS

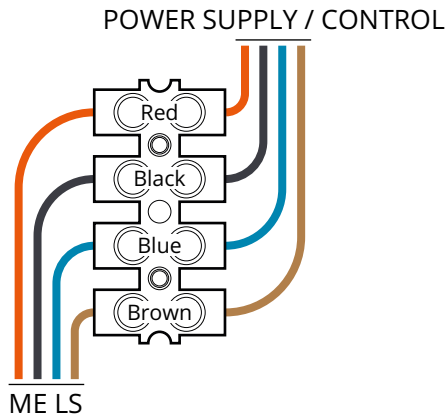
7



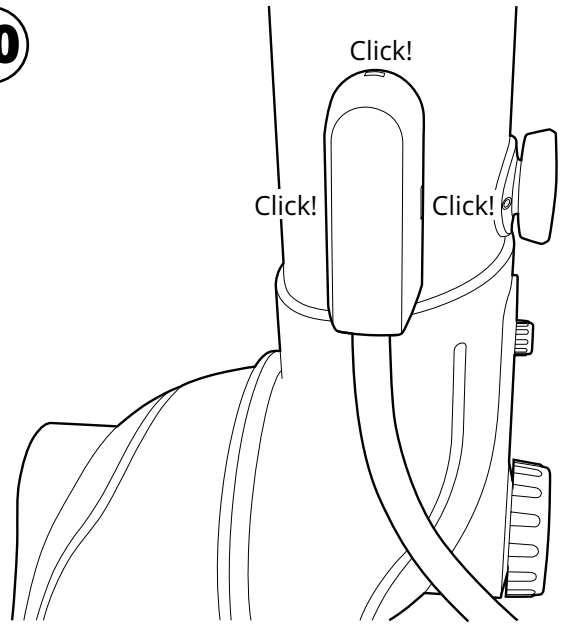
8



9

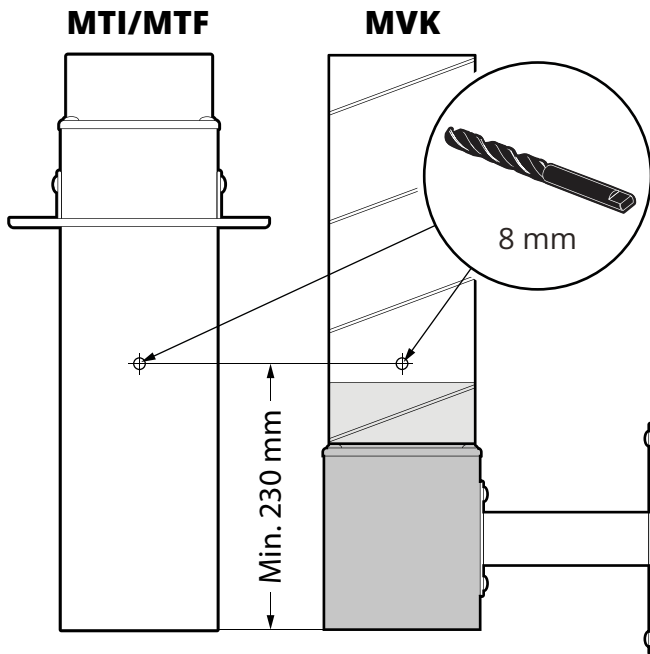


10

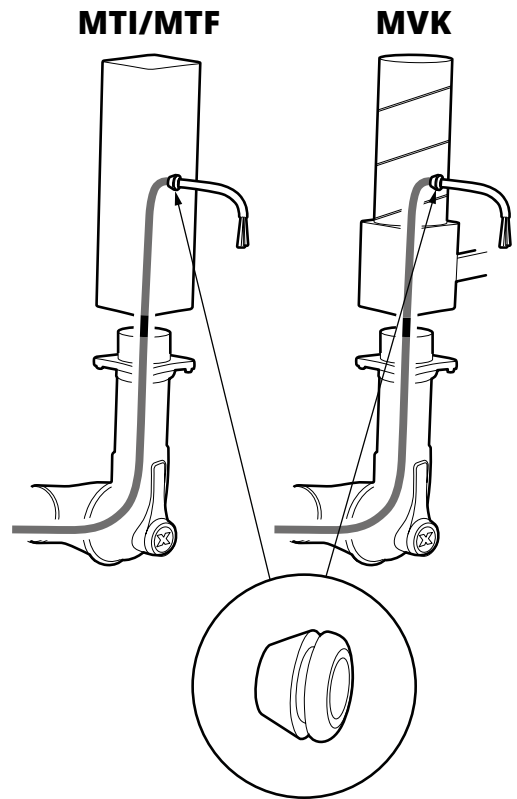


## ME S/LS Cable entry

11



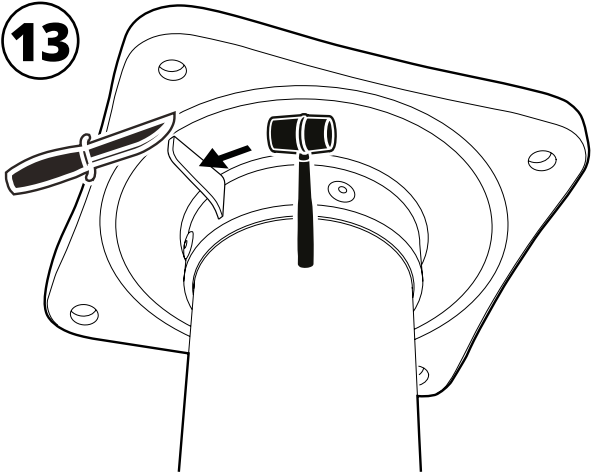
12



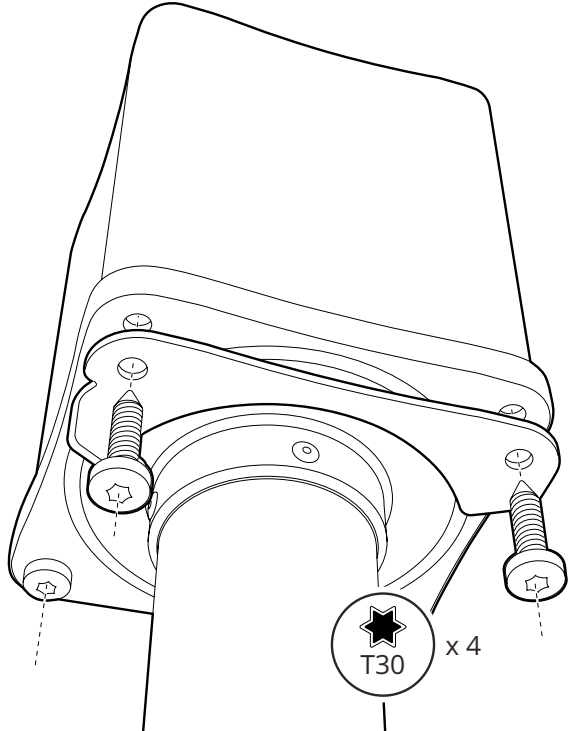
ME 50: ..... See 13 page 5  
 ME 75/100:..... See 18 page 6

**ME 50 Swivel stop**

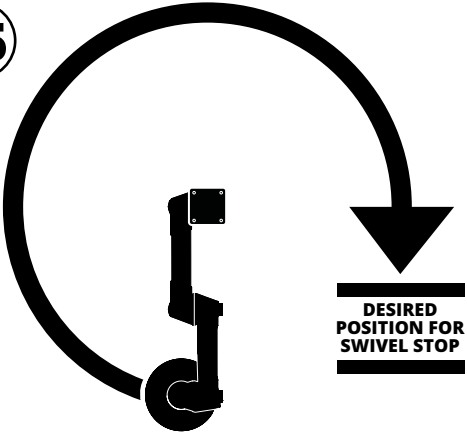
**13**



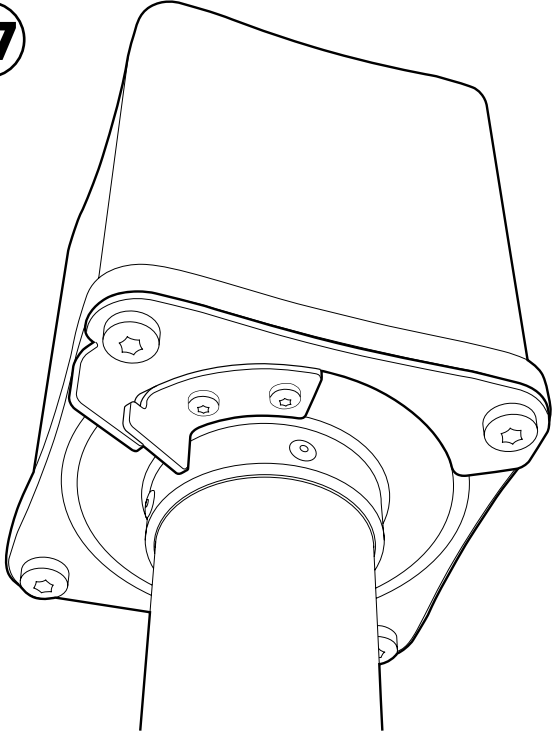
**14**



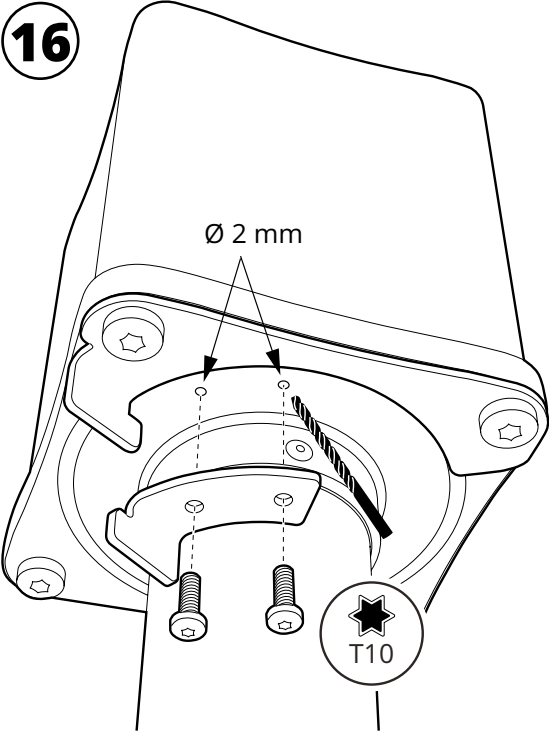
**15**



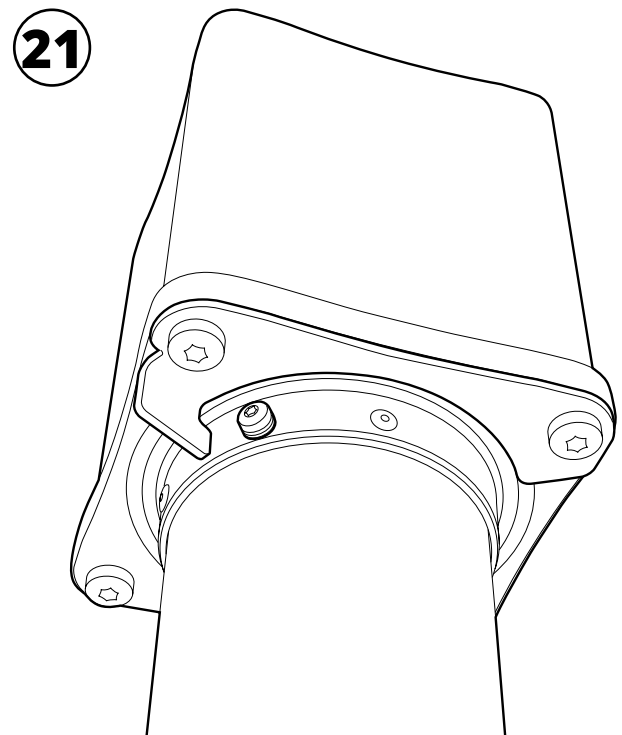
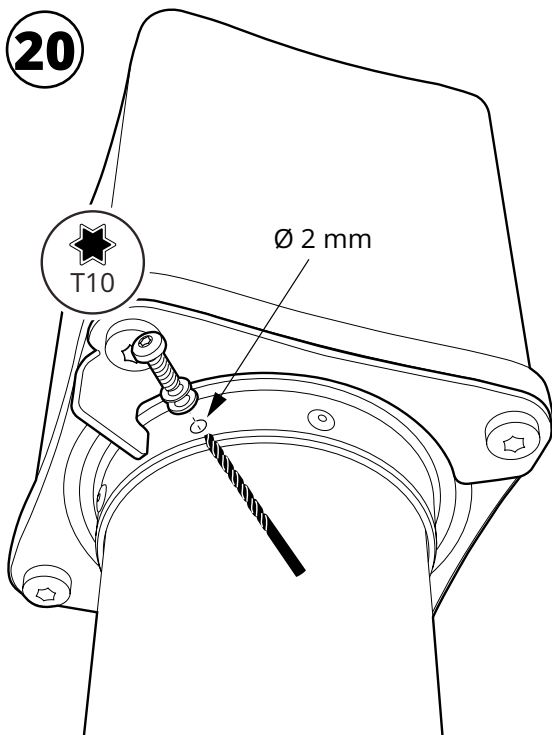
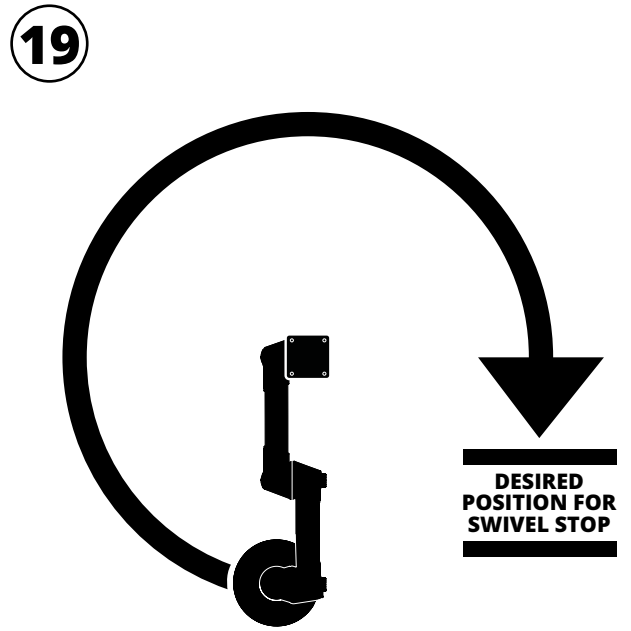
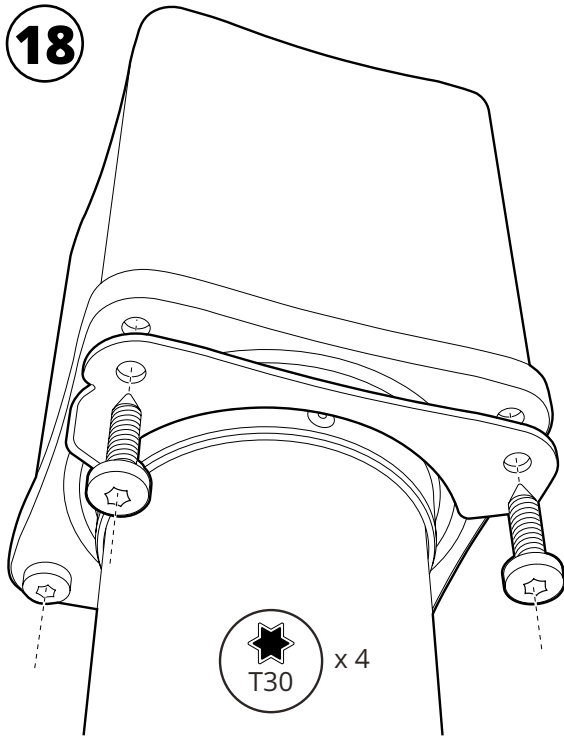
**17**



**16**

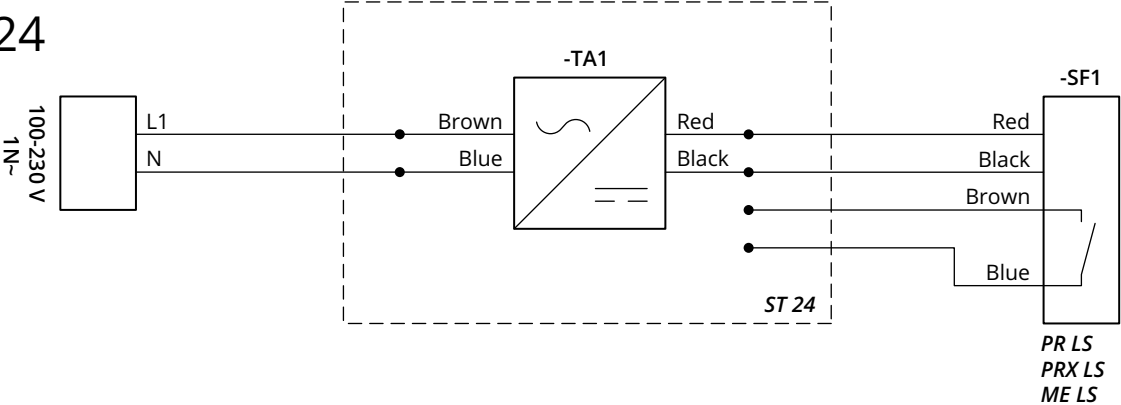


# ME 75/100 Swivel stop

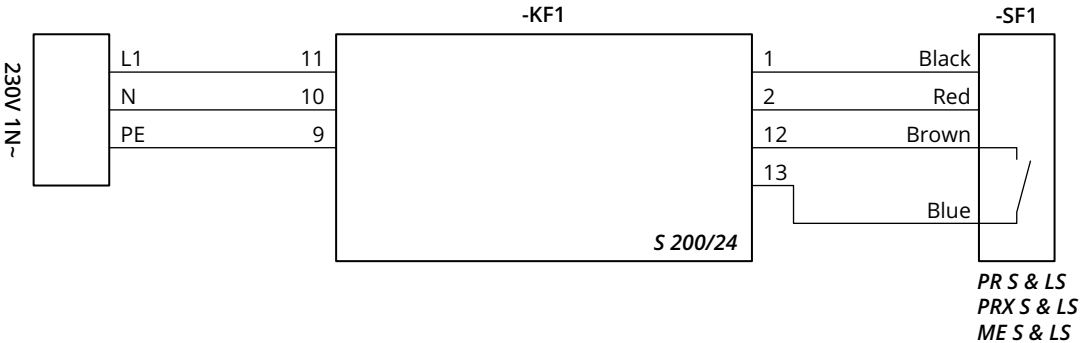


# Wiring diagram

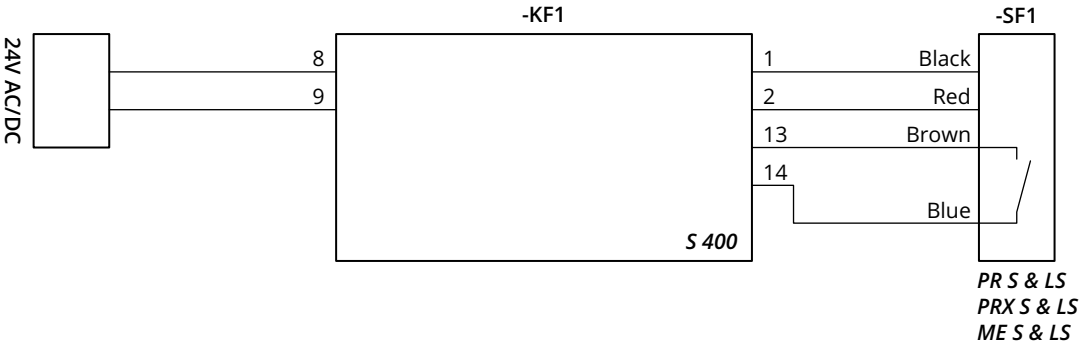
## ST 24



## S 200/24V



## S 400



# Technical data

## ME S

### Installation

Voltage: ..... 24 V AC/DC  
Frequency: ..... 50-60 Hz  
Ambient temp.: ..... 0 to 50 °C  
Weight: ..... 55 gram

### Meets requirements

EMC: ..... EN IEC 55015:2019  
Luminaires - Safety: ..... EN IEC 60598-2-1:2021  
Controlgear - Safety: ..... IEC 61347-2-13:2014  
RoHS directive: ..... 2011/65/EU

### Product

#### Materials

Housing: ..... PP  
Bracket internal: ..... Aluminium  
Bracket external: ..... Steel  
Dimension: ..... 115 x 26 x 42 mm

#### Maintenance

Maintenance free

## ME LS

### Installation

Voltage: ..... 24 V AC/DC  
Power: ..... 5 W  
Luminous flux: ..... 500 lm<sup>1</sup>  
Light exchange: ..... 110 lm/W  
Colour temperature: ..... 4000 K  
Ambient temp.: ..... 0 to 50 °C  
Enclosure class: ..... IP 20  
Weight: ..... 270 gr

<sup>1</sup> Dimmable 100 - >10 %

### Meets requirements

EMC: ..... EN IEC 55015:2019  
Luminaires - Safety: ..... EN IEC 60598-2-1:2021  
Controlgear - Safety: ..... IEC 61347-2-13:2014  
RoHS directive: ..... 2011/65/EU

### Product

#### Materials

Housing: ..... Aluminium  
Gooseneck: ..... Stainless steel  
Bracket internal: ..... Aluminium  
Bracket external: ..... Steel

#### Dimensions

Housing: ..... Ø38 x 90 mm  
Gooseneck: ..... Ø12 x 380 mm

#### Maintenance

Maintenance free

EXTRACTION ARMS • VEHICLE EXHAUST EXTRACTION • FANS • FILTERS • CURTAINS • CONTROLS

# FUMEX

G:a Burträskvägen 48, 931 92 Skellefteå, Sweden • Tel.: +46 910-361 80 • Fax: +46 910-130 22 • E-mail: info@fumex.se

[www.fumex.com](http://www.fumex.com)